

KPI

KELAIR PRODUCTS, INC.

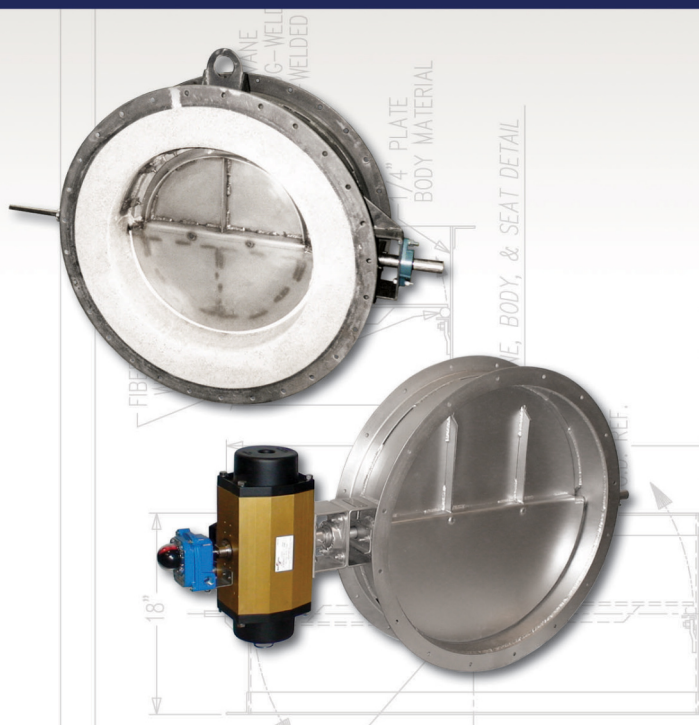
INDUSTRIAL DAMPERS



MADE IN THE **USA**

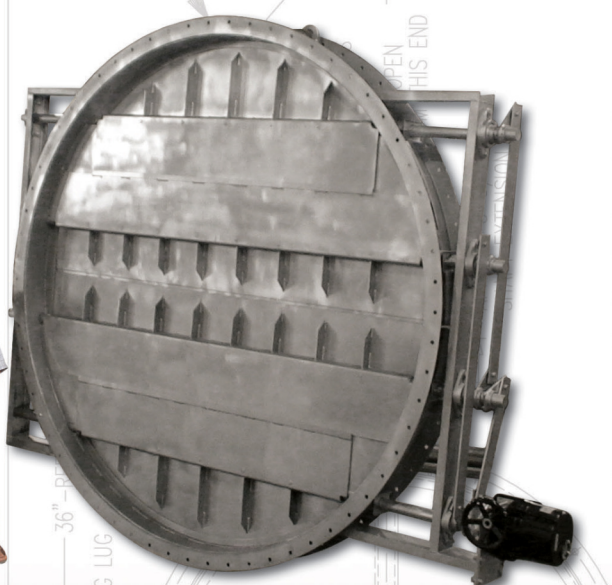
www.kelairdampers.com

Designed to meet the needs of today's Industrial process air & gas systems.



BUTTERFLY DAMPERS MODEL BRI & BSI

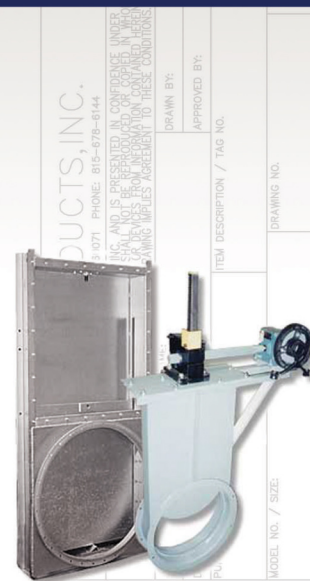
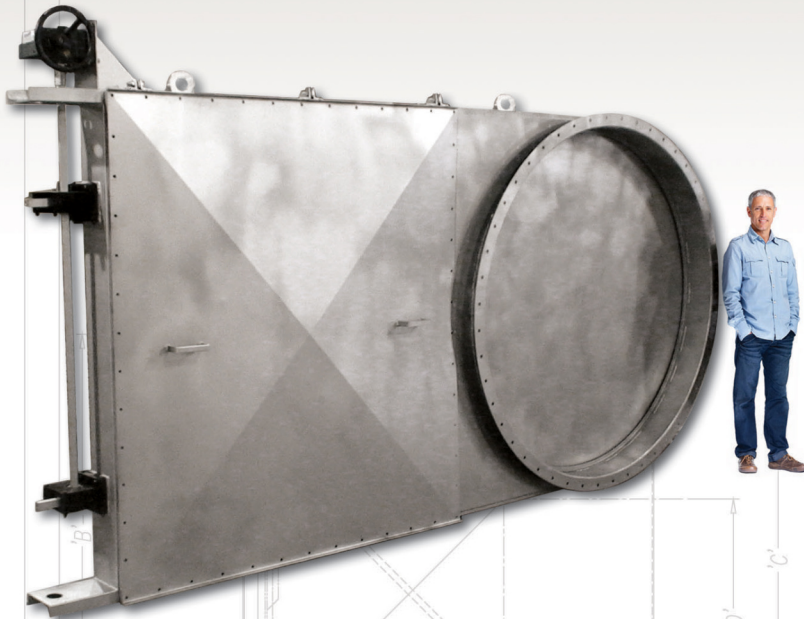
- Size ranges from 6" to 144".
- Process temperature ranges to 2200° F.
- Round, square or rectangular configurations.
- Stainless steel or painted carbon steel construction.
- Shutoff options of 99% (tadpole seals), 97% (metal seat) & 90% (swing-thru; control & balancing).
- Ball bearings and shaft packing glands standard.
- Actuation options of manual, electric, pneumatic with spring return and failsafe available. Open/closed or modulating control.
- Standard designs to 1-PSI & 4000 FPM process air with higher available.



LOUVER DAMPERS MODEL LSI & LRI

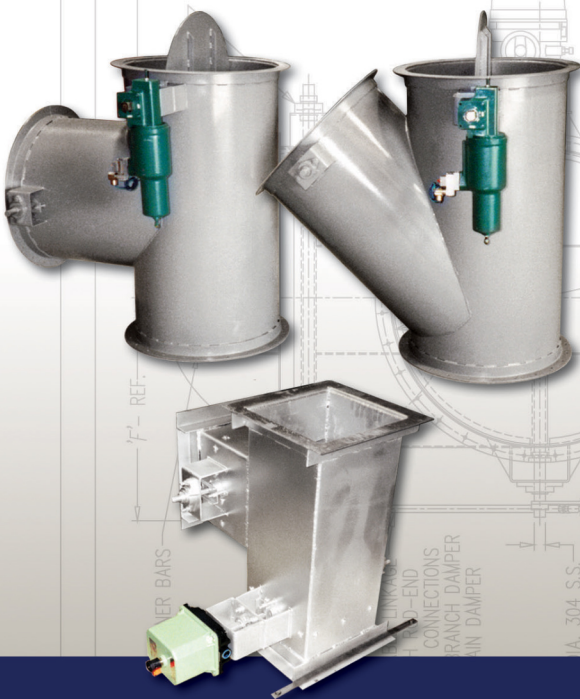
- Size ranges from 14" to 132".
- Available in parallel or opposed vane action.
- Process temperature ranges to 1100° F.
- Round, square or rectangular configurations.
- Stainless steel or painted carbon steel construction.
- Shutoff options of 99% (compression seals), 98% (jamb seals), 95% (metal bar seats) & 90% (swing-thru; control & balancing).
- Ball bearings and shaft packing glands standard.
- Actuation options of manual, electric, pneumatic with spring return and failsafe available. Open/closed or modulating control.
- Standard designs to 1-PSI & 4000 FPM process air with higher available.





SLIDE GATE; GUILLOTINE DAMPERS MODEL GSI & GRI

- Size ranges from 10" to 84".
- Process temperature ranges to 1000° F.
- Round, square or rectangular configurations.
- Stainless steel or painted carbon steel construction.
- Shutoff options of 98% (metal seat) & 99% (compression seals).
- Enclosed bonnet (blade retraction) area standard.
- Actuation options of manual, electric, pneumatic open/closed actuators available.
- Standard designs to 1-PSI & 4000 FPM process air with higher available.



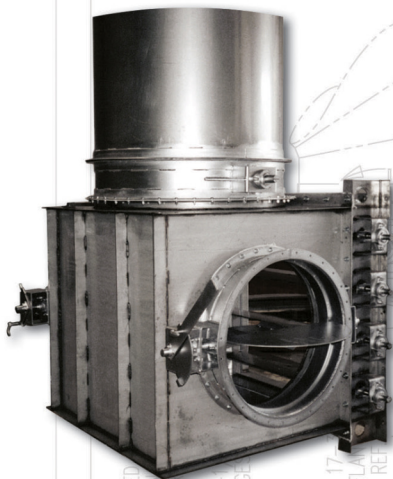
DIVERTER DAMPERS MODEL TRI & TSI

- Size ranges from 10" to 48".
- Process temperature ranges to 2200° F.
- Round, square or rectangular configurations.
- Stainless steel or painted carbon steel construction.
- Shutoff options of 99% (tadpole seals), 97% (metal seat) & 90% (swing-thru; control & balancing).
- Ball bearings and shaft packing glands standard.
- Actuation options of manual, electric, pneumatic with spring return and failsafe available.
- Open/closed or modulating control.
- Standard designs to 1-PSI & 4000 FPM process air with higher available.

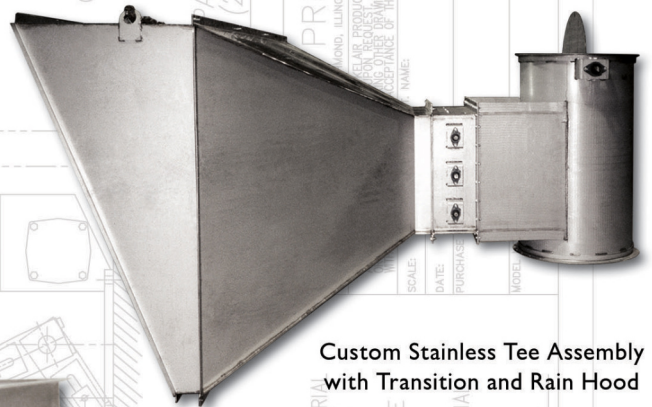
"Custom Industrial Damper Specialists"

Special Application Dampers

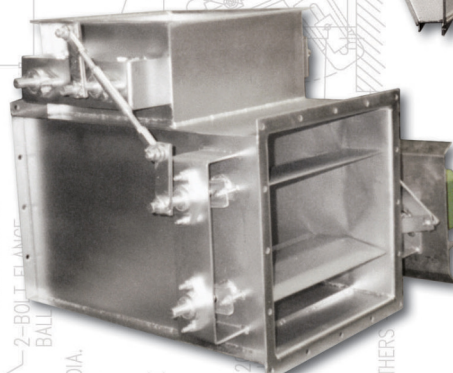
Kelair Products specializes in custom design and fabrication of dampers and assemblies to meet your specific application requirements. Let us assist you in selecting the most cost effective and efficient damper design.



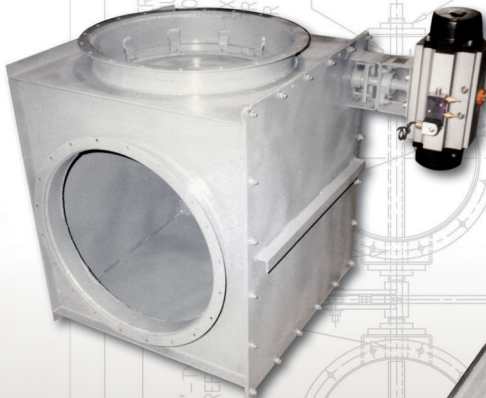
Custom Assemblies



Custom Stainless Tee Assembly with Transition and Rain Hood



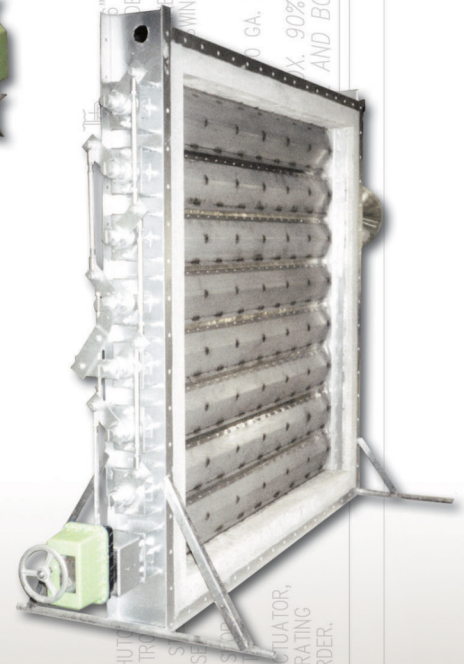
Louver Style Tee



Single Vane Flap Style Diverter



Stack Cap



Refractory Lined Louver

5700 AMI Drive Richmond, IL 60071

Phone: 815.678.6144 Fax: 815.678.6146 Email: info@kelairdampers.com Web: www.kelairdampers.com